

ANACONDA STATIC BANNER STANDS

STATIC BANNER STANDS

STATIC BANNER STANDS



Panels attached
by gripper rails

Sturdy frame
with heavy base



Telescopic pole extends to 3m

plex
DISPLAY
banner stands

ANACONDA

STATIC BANNER STAND

ANACONDA IS A **HEAVY DUTY TELESCOPIC BANNER STAND** SYSTEM WITH A STURDY SILVER FRAME, THE SYSTEM HOLDS GRAPHIC PANELS UP TO 3M TALL AND FROM 600MM UP TO 1000MM WIDE IN A **SINGLE OR TWIN SIDED** FORMAT. ANACONDA SYSTEMS OFFER EASY ASSEMBLY WITH NO TOOLS REQUIRED.

FEATURES

- Sturdy telescopic silver frame that extends from 1500mm to 3000mm
- Heavy duty laser cut, interlocking steel base
- Suits graphic panels 600mm, 800mm and 1000mm wide
- Offers single or twin sided graphic displays
- Panels attached by gripper rails
- Supplied complete with a handy carry bag

ACCESSORIES

- Wide range of spotlighting options available
- Optional range of literature units to hold A4, A5 or DL brochures



plex
DISPLAY
banner stands

TELESCOPIC FRAME

IDS



- 1. Helios 3
50w hi spotlight
- 2. Helios 4
50w hi spotlight
- 3. Helios 5
50w hi spotlight
- 4. Helios 7
50w low voltage spotlight
- 5. Helios 8
50w low voltage spotlight
- 6. Double sided system
- 7. Optional literature unit



STATIC BANNER STANDS

HEAVY DUTY BASE

SINGLE OR DOUBLE SIDED

LIGHTING OPTIONS

SPECIFICATIONS

GRAPHIC PANEL SIZES

Minimum graphic panel size
1000 x 1000/800/600mm

Maximum graphic panel size
3000 x 1000/800/600mm

Maximum finished graphic panel thickness
250 micron

SYSTEM SIZES

Assembled

1000 = 3000 (H) x 1000 (W) x 400 (D)mm

800 = 3000 (H) x 800 (W) x 400 (D)mm

600 = 3000 (H) x 600 (W) x 400 (D)mm

Boxed size

1000 = 1220 (L) x 210 (W) x 210 (D)mm

800 = 1220 (L) x 210 (W) x 210 (D)mm

600 = 1220 (L) x 210 (W) x 210 (D)mm

Boxed weight

1000mm = 7.35kg

800mm = 7.06kg

600mm = 6.80kg

Average boxed weight of the add on literature unit

1.0kg

COMPONENT LIST

2 part base

3 part telescopic pole

4 graphic hanging bars

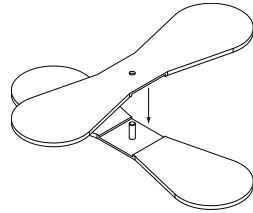
Padded carry bag and tube

plex
DISPLAY

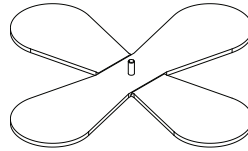
Issue 5 - Mar 2008

ANACONDA ASSEMBLY INSTRUCTIONS

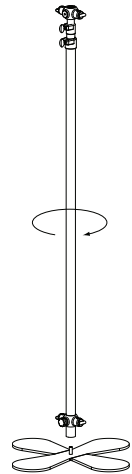
A



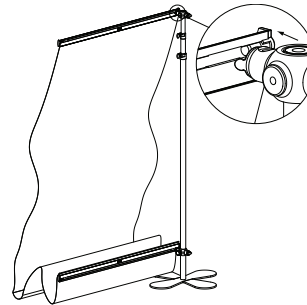
B



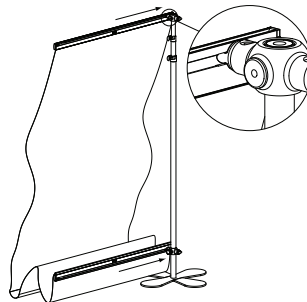
C



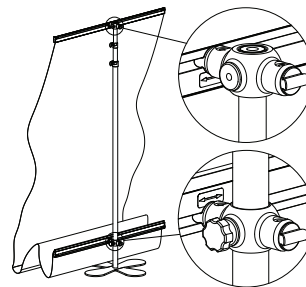
D



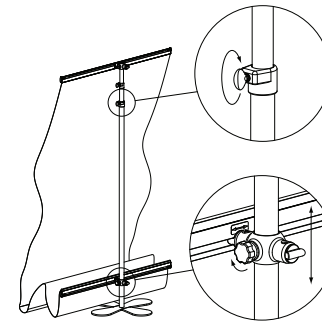
E



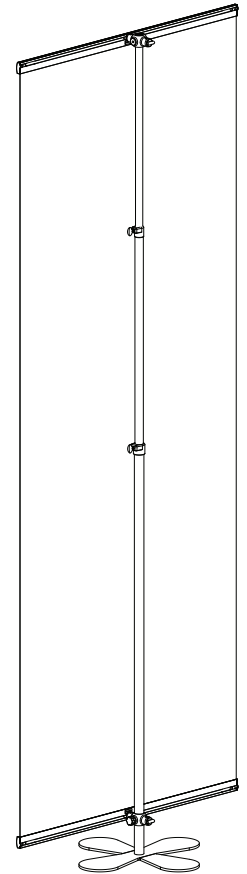
F



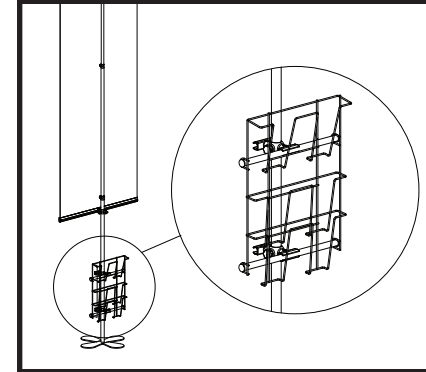
G



H



OPTIONAL LITERATURE UNIT



GRIPPER HANGER GRAPHIC ATTACHMENT

