

COBRA STATIC BANNER STAND

STATIC BANNER STANDS



Compact and
lightweight system

Smart satin anodised
aluminium casing

STATIC BANNER STANDS

Single sided

plex
DISPLAY
banner stands

COBRA

STYLISH STATIC BA

COBRA IS A **STYLISH** SINGLE SIDED STATIC BANNER STAND PRESENTED IN A SMART **SILVER ANODISED FINISH**, FEATURING AN **ADJUSTABLE TELESCOPIC POLE**. THE GRAPHIC PANEL SIZE IS 2100MM HIGH X 800MM WIDE. THE VISIBLE AREA IS 2072MM HIGH X 800MM WIDE ONCE THE GRIPPER HANGERS HAVE BEEN ATTACHED.

FEATURES

- Fully adjustable telescopic pole from 800mm up to 2100mm
- Gripper style hangers
- Accepts up to 500 micron thickness graphic
- Comes complete with drawstring carry bag
- Optional carry tube available
- Visible graphic size 2072 x 800 (gripper rail hides 14mm at top & bottom)

ACCESSORIES

- Wide range of spotlight options available

compact & lightweight



1



2



plex
DISPLAY
banner stands

SILVER ANODISED

INNER STAND



Easy to carry

1. Helios 3
50w hi spotlight
2. Helios 4
50w hi spotlight
3. Helios 5
50w hi spotlight
4. Helios 7
50w low voltage spotlight
5. Helios 8
50w low voltage spotlight
6. Optional carry tube

STATIC BANNER STANDS

COMPACT AND PORTABLE

LIGHTING OPTIONS

SET UP IN SECONDS

SPECIFICATIONS

GRAPHIC PANEL SIZE

Finished graphic panel size
2100 x 800mm

Visual graphic area

2072 x 800mm (this allows for the 14mm of graphic hidden by the top gripper rail)

Maximum finished graphic panel thickness

500 micron

SYSTEM SIZES

Boxed size

800mm = 830 (L) x 120 (W) x 110 (D)mm

Assembled size

800mm = 815 (W) x 275 (D) x 2155 (H)mm

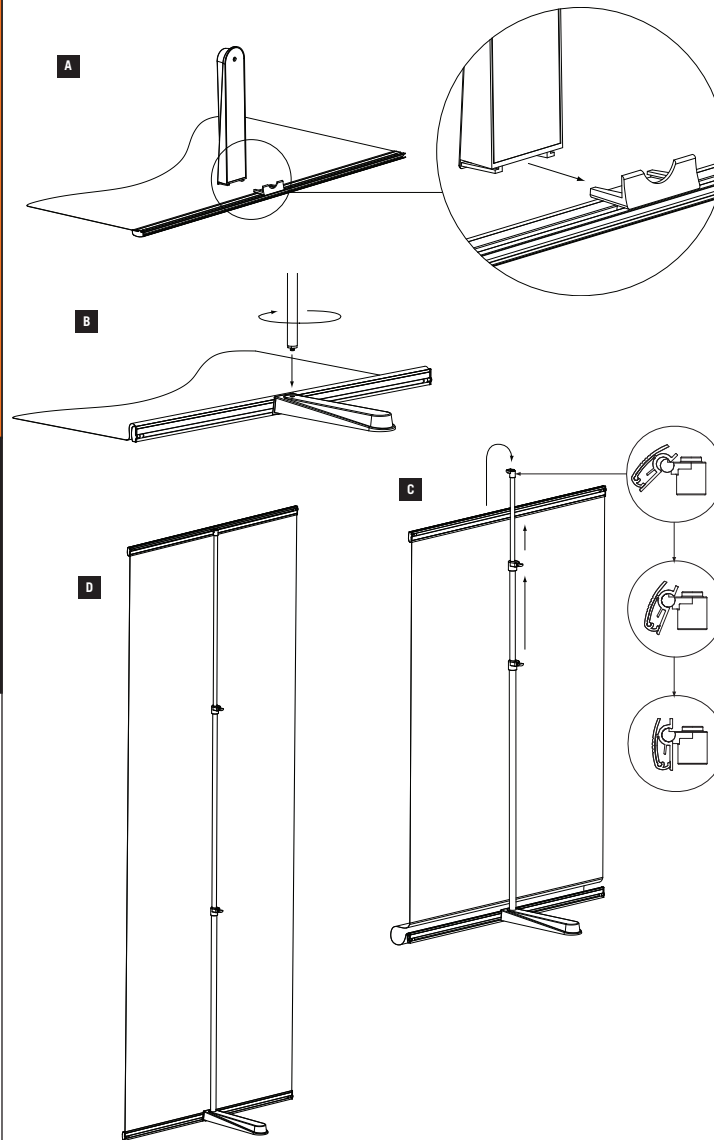
BOXED WEIGHT

800mm = 3kg

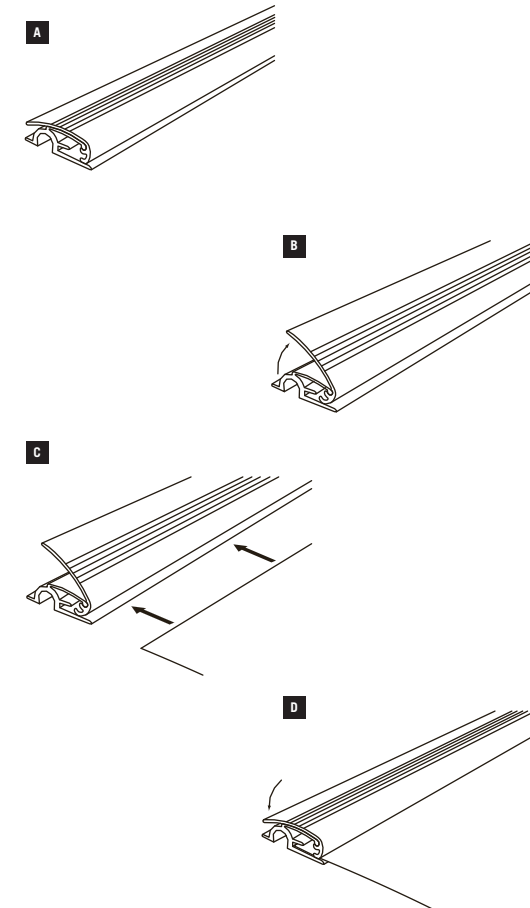
COMPONENT LIST

3 part telescopic pole
Top gripper rail
Bottom gripper rail
Foot
Drawstring bag
Carry box

COBRA BANNER STAND ASSEMBLY INSTRUCTIONS



GRAPHIC ATTACHMENT



plex
DISPLAY

Issue 1 - January 2008