

# PLEX 50

## FOLDING AND PANEL & POLE SYSTEMS

FOLDING AND PANEL & POLE SYSTEMS



Choice of 19  
fabric colours

Wide selection of kit  
configurations

Compact & lightweight

**plex**  
DISPLAY  
modular

FOLDING AND PANEL & POLE SYSTEMS

# PLEX 50

# SET UP IN MINUTES

PLEX 50 IS THE **PERFECT** PORTABLE PRESENTATION SYSTEM FEATURING A **LIGHTWEIGHT PVC FRAME** IN A CHOICE OF TWO COLOURS. THE SYSTEM IS OFFERED IN A MODULAR **PANEL & POLE** STYLE, TWO FAST **FOLD TABLE** TOP CONFIGURATIONS AND A NEAT **FLAT PACK** PART GLAZED COUNTER DISPLAY UNIT.

## FEATURES

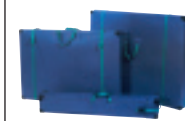
- Compact, lightweight, modular system with strong PVC frames and Class 1 fire rated panel boards
- Highly portable and set up in a couple of minutes
- Wide selection of kit configurations available all offering a unique graphic recess to one side of the panel
- Flexibility of reconfiguring panels from a portrait to a landscape style in minutes
- Spectrum of 19 loop nylon fabric colours and a choice of black or grey frame colours
- Range of carry bag and lighting options

## ACCESSORIES

- Choice of lighting options
- Selection of carry bags and cases



Panel carry bags

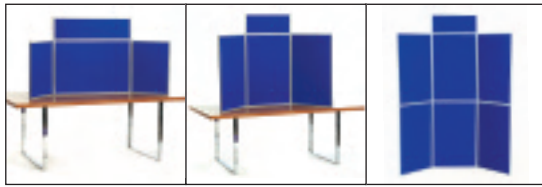


Panel carry cases



**plex**  
DISPLAY  
modular

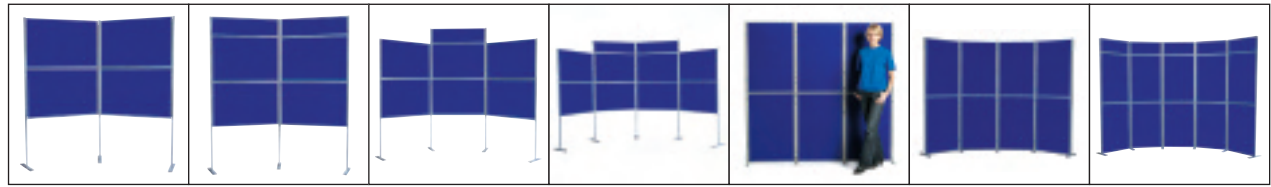
LIGHTWEIGHT & VERSATILE



PK51  
Mini table top kit

PK52  
Maxi table top kit

PK511  
6 panel folding kit



PK53  
4 panel and pole kit

PK54  
4 panel and pole kit

PK56  
6 panel and pole kit

PK57  
8 panel and pole kit

PK58  
6 panel and pole kit

PK59  
8 panel and pole kit

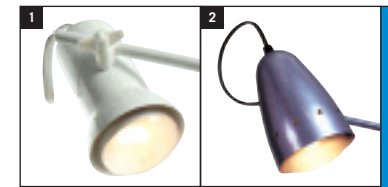
PK510  
10 panel and pole kit



**Loop Nylon**

1. Barley
2. Sungold
3. Quince Green
4. Laurel Green
5. Emerald Green
6. Bottle Green
7. Wedgewood Blue
8. Blueberry
9. Special Blue
10. Royal Blue
11. Regal Blue
12. BA Navy
13. Burgundy
14. Alpha Red
15. Cherry Red
16. Light Grey
17. Silver Grey
18. Dove Grey
19. Black

Please note : Fabric colours shown are only given as a guide. Slight colour variations may occur between batches of material



1. Helios 1  
60w spot
2. Helios 2  
100w spot
3. Counter display  
unit



**FOLDING AND PANEL & POLE SYSTEMS**

## SPECIFICATIONS

### BOXED WEIGHTS

PK51 = 5.05kg  
PK52 = 5.85kg  
PK511 = 8.80kg  
PK53 = 7.50kg  
PK54 = 8.80kg  
PK56 = 10.70kg  
PK57 = 13.80kg  
PK58 = 10.00kg  
PK59 = 12.50kg  
PK510 = 17.10kg  
Counter unit = 15.50kg

### PANEL SIZES

Panel thickness = 16mm

### FABRIC AREA (FLAT SIDE & RECESS SIDE)

Panel length minus 26mm  
Panel width minus 26mm  
(eg, 900 x 600mm panel  
= 874 x 574mm fabric area)

### RECESS AREA

Panel length minus 14mm  
Panel width minus 14mm

(eg, 900 x 600mm panel  
= 886 x 586mm recess area)

### COUNTER DISPLAY SIZES

#### Assembled

900 (H) x 800 (W) x 400 (D)mm

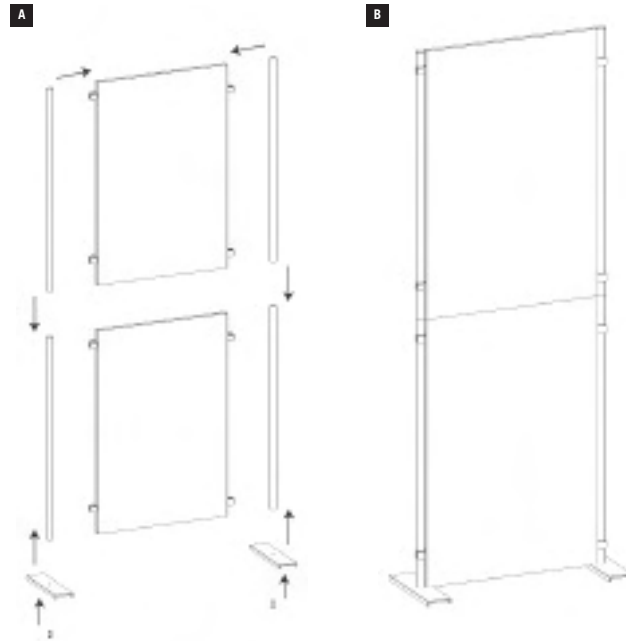
#### Boxed

900 (L) x 780 (W) x 100 (D)mm

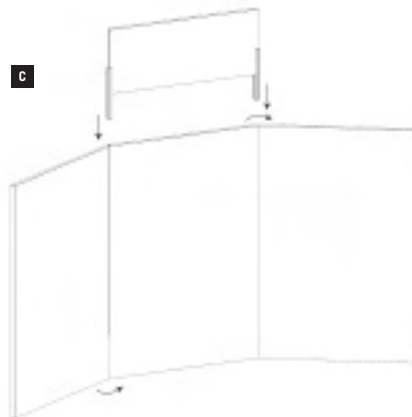
**plex**  
DISPLAY

Issue 3 - Mar 2008

## PLEX 50 ASSEMBLY INSTRUCTIONS



Plex 50 panels using  
25mm pole and bar feet.



## ASSEMBLY INSTRUCTIONS

